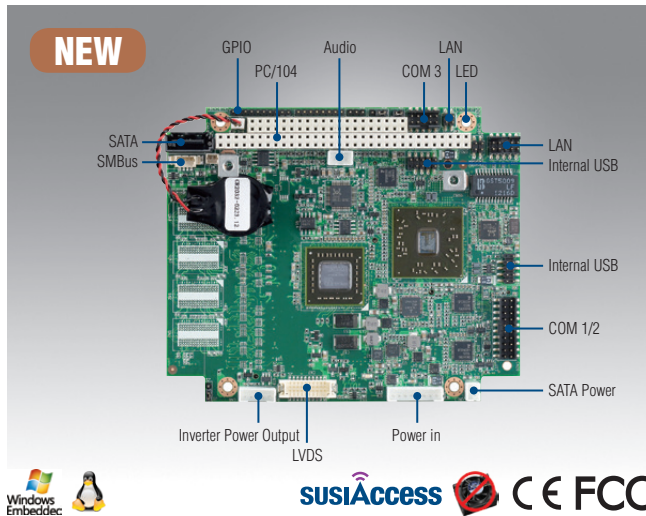


PCM-3356

AMD T16R PC/104 SBC, VGA, LVDS, LAN, USB, COM, SATA



Features

- AMD® G-Series™ Processor T16R 615 MHz
- Supports up to 4 GB DDR3 SODIMM
- Supports 18-bit LVDS and VGA
- Supports 3 COM ports, 4 USB 2.0 ports, dual GbE and audio codec
- Supports extended temp: -40 ~ 85° C
- Expansion: PC/104 and half size mini PCIe
- Supports SUSIAccess and Embedded Software APIs

Software APIs:



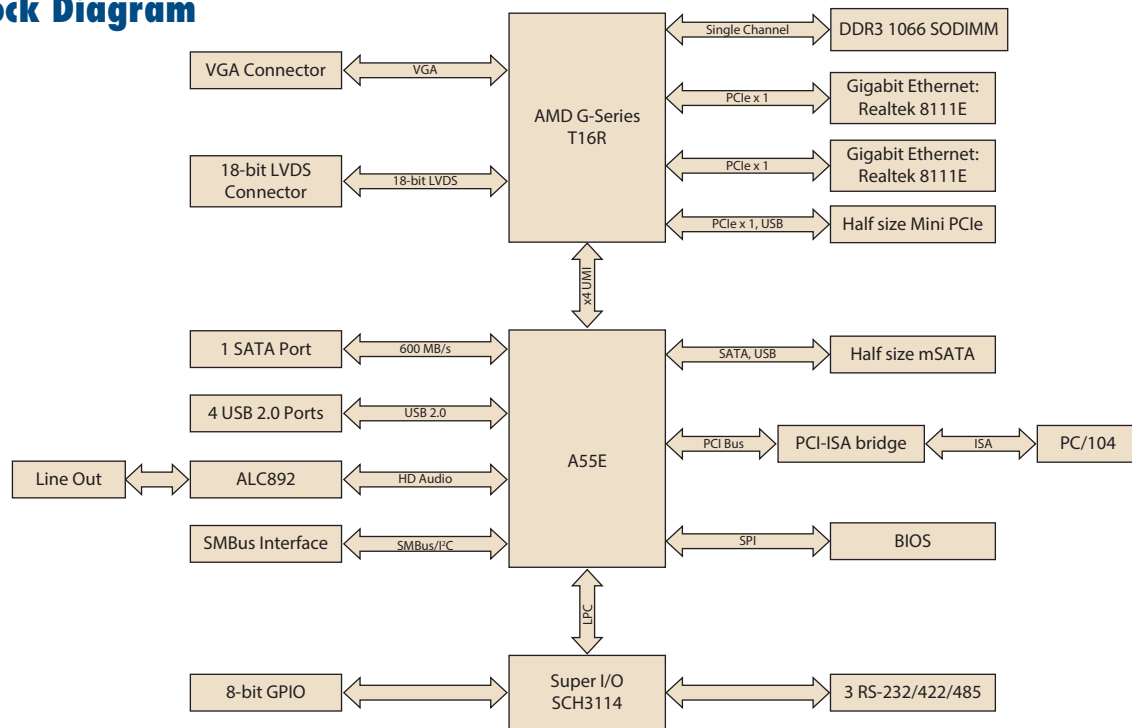
Utilities:



Specifications

Processor System	CPU	AMD® G-Series™ Processor T16R 615MHz
	Frequency	615 MHz
	L2 Cache	512 KB
	System Chipset	AMD G-Series + A55E
	BIOS	AMI 32-Mbit
Memory	Technology	DDR3 1066 MHz
	Max. Capacity	4 GB
	Socket	1 x 204-pin SODIMM
Display	Chipset	AMD G-Series
	Graphics Engine	DirectX 11 graphics with UVD 3.0, Open CL 1.1, Open GL 4.0 Hardware decode (UVD 3) for H.264, VC-1 and MPEG2
	VRAM	Optimized shared memory Architecture up to 384 MB system memory
	LVDS	Supports up to 1280 x 800 @ 18-bit LVDS
	VGA	Supports up to 1920 x 1200 at 85Hz
	Dual Display	LVDS + VGA
Ethernet	Interface	10/100/1000 Mbps
	Controller	LAN1: Realtek RTL8111E-VB-GR LAN2: Realtek RTL8111E-VB-GR
	Connector	Box header
Audio	Chipset	Realtek ALC892, High Definition Audio (HD), Line out
WatchDog Timer		Output System reset, Programmable 1 ~ 255 sec
Internal I/O	SATA	1 x SATA 2.0
	mSATA	1 (Half size)
	USB	4 x USB 2.0
	Serial	3 x RS-232/422/485 with auto flow control (ESD protection: Air gap ±15kV, Contact ±8kV)
	SMBUS	1
	GPIO	8-bit GPIO
Expansion	PC/104 Slot	1
	Mini PCI Express	1 (Half size)
Power	Power Type	AT/ATX
	Power Supply Voltage	5V only to boot up (12 V is optional for LCD inverter and add on card)
	Power Consumption (Typical)	1.38 A @ +5 V (6.9 Watts)
	Power Consumption (Max, test in HCT)	1.65 A @ +5 V (8.25 W)
	Power Management	ACPI 4.0
	Battery	Lithium 3 V / 210 mAh
Environment	Operation	0 ~ 60° C (32 ~ 140° F) (Operational humidity: 40° C @ 85% RH non-condensing)
	Non-Operation	-40° C ~ 85° C and 60° C @ 95% RH non-condensing
Physical Characteristics	Dimensions (L x W)	96 x 115 mm (3.8" x 4.5")
	Weight	0.590 kg (1.30 lb)
	Height	Top side:19.5 mm (F), Bottom side:10.6 mm

Block Diagram



Ordering Information

Part Number	CPU	Memory	VGA	LVDS	GbE	USB 2.0	RS-232/422/485	Audio	mSATA	miniPCle	Expansion	Thermal Solution	Operating Temp
PCM-3356F-M0A1E	T16R	SODIMM	1	18-bit	2	4	3	Yes	1	1 (half size)	PC/104	Passive	0 ~ 60° C
PCM-3356Z-2GM0A1E	T16R	2GB Bundle	1	18-bit	2	4	3	Yes	1	1 (half size)	PC/104	Passive	-20 ~ 80° C
PCM-3356Z2-2GM0A1E	T16R	2GB Bundle	1	18-bit	2	4	3	Yes	1	1 (half size)	PC/104	Passive	-40 ~ 85° C

Packing List

Part No.	Description	Quantity
	PCM-3356 SBC	
	Startup Manual	
1700018799	M Cable SATA 7P/SATA 7P 90/180 25cm	1
1700000898	VGA cable D-SUB 15P(F)/12P-1.25MM 14CM x1	1
1703100121	2*5P-2.0/USB-A(F)*2 12CM x2	2
1701200220	COM RS-232 Cable 2*10P-2.0/D-SUB 9P(M)*1 22CM x1	1
1700019414	COM RS-422/485 Cable 2*5P-2.0/D-SUB 30CM x1	1
1700003491	ATX/AT power cable 1*8P-2.0/B4P-5.08*2 15cm x1	1
1700018259	SATA power cable for 5V connector, 1*5P-3.81/1*2P-2.0 20CM C=R,B	1
1700020638-01	Audio cable 1*3P-2.0/Phone JACK 20cm x1	1
1700017863	LAN cable RJ45/2*5P-2.0 15cm x2	2
1960058627T001	Heatsink for PCM-3356 (105 x 77.97 x 19.5 mm)	1
9689000002	mini jumper pack (black) x1	1
9660104000	PC/104 screw and copper post package x1	1

Optional Accessories

Part No.	Description
165313222B	PC/104 connector 64-pin (Long pin)
165312022B	PC/104 connector 40-pin (Long pin)
1703150102	SATA Power cable B4P-5.08/SATA 15P 10cm x1

Embedded OS/API

Embedded OS/API	Part No.	Description
WES7	2070012057	image WES7E PCM-3356 V5.1.5
Win XPE	2070012056	image WES2009 PCM-3356 V4.4 24MUI; SA
WinCE 6.0		WinCE 6.0
WinCE 7.0	2070012240	image WEC7 PCM-3356 V1.0 Eng
Linux		Ubuntu 12.04
Software API		SUSI V3.0