

# EDAM-8065AD

4 Isolated digital input and 5 AC-SSR output Module with LED display



## Features

- ◆ Support 4 isolated digital input channels
- ◆ Input channel support max. 50Hz counter
- ◆ Support 5 AC-SSR output channels
- ◆ Programmable Host Watchdog Timer For Host Failure Protection.
- ◆ Support MODBUS And ASCII Format Protocol

## Specifications

- ◇ Interface : RS-485, 2 wires
- ◇ Baud rate : 1200 to 115.2K
- ◇ Protocol : MODBUS RTU and ASCII Command
- ◇ Digital Input:
  - Input channels : 4 isolated input channels with common source.
  - Input Logical level 0 : +1Vdc Max
  - Input Logical level 1: +4.0V ~ +30Vdc
  - Input impedance: 3K ohms
  - Input isolation Voltage: 3750Vrms
  - Input Counter : Support max. 50Hz counter
- ◇ Digital Output:
  - Output channels: 5 AC-SSR output channels with normal Open.
  - Output voltage rating : 24 to 265 Vrms
  - Dielectric Strength : 2500Vrms
  - Output current rating : 1.0 Arms,
  - Leakage current: 1.5mArms
  - Min. Operate Time: 1mS max.
  - Min. Release Time: 1.5mS max
- ◇ LED: 9 digital Input/output status LED
- ◇ EMS Protection: IEC-61000-4-2 (EDS) Level 4
- ◇ Power Requirement:
  - Power input : +10V to +30VDC
  - Power Consumption : 2.4W(8065AD)
- ◇ Operating temperature: -10 ~ 70° C (14~ 158° F)
- ◇ Humidity: 5 ~ 95%, non-condensing

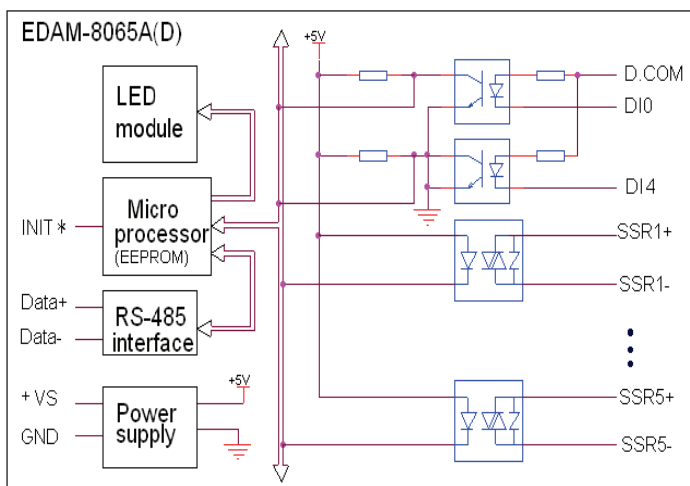
## Order information

### EDAM-8065AD :

4 Isolated digital input and 5 AC-SSR output Module with LED display

## Flexible OEM/ODM design

## Block Diagram



## Wire connection

