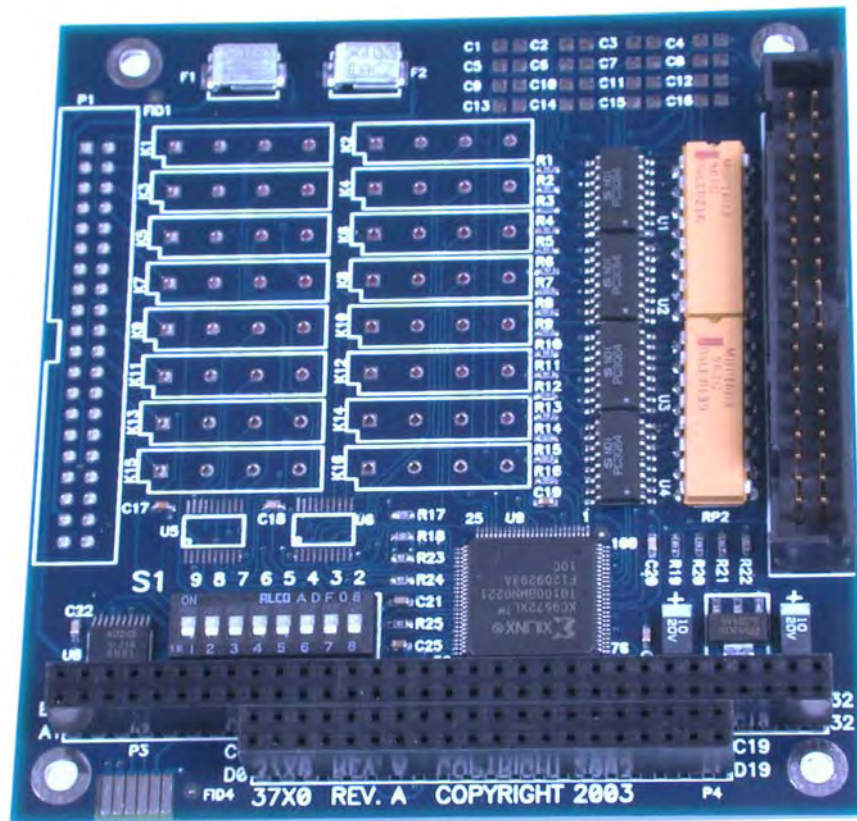


DIO-104.OPTO User Manual



Part Number 3720



Table of Contents

INTRODUCTION	1
OTHER SEALEVEL PC104 DIGITAL I/O PRODUCTS.....	1
BEFORE YOU GET STARTED	2
WHAT'S INCLUDED.....	2
OPTIONAL ITEMS.....	2
CARD SETUP	3
ADDRESS SELECTION.....	3
SOFTWARE INSTALLATION	4
PHYSICAL INSTALLATION	6
PROGRAMMING THE DIO-104.OPTO	7
PROGRAMMING FOR WINDOWS.....	7
PROGRAMMING FOR LINUX.....	7
DIGITAL I/O INTERFACE.....	7
INPUT PORTS.....	8
INPUT PIN ASSIGNMENTS (P2).....	9
READING THE INPUTS.....	9
ELECTRICAL CHARACTERISTICS	10
FEATURES.....	10
SPECIFICATIONS.....	10
EXAMPLE CIRCUITS	11
APPENDIX A - TROUBLESHOOTING	12
APPENDIX B - HOW TO GET ASSISTANCE	13
APPENDIX C – SILK SCREEN – 3720 PCB	14
APPENDIX D - COMPLIANCE NOTICES	15
FEDERAL COMMUNICATIONS COMMISSION STATEMENT.....	15
WARRANTY	16

Introduction

The DIO-104.OPTO is a PC/104 form factor adapter that provides 16 optically isolated inputs (rated for 3-13V) to allow monitoring of off board switch closures, relays or for any other general purpose monitoring needs.

The DIO-104.OPTO is designed to be used with a variety of Operating Systems including Windows 98/NT/ME/2000/XP and DOS. The SeaI/O API (Application Programmer Interface) included on CD with the DIO-104.OPTO provides a variety of useful high-level function calls implemented as a Windows dynamic link library (DLL). In addition to the API, SeaI/O includes sample code and utilities to simplify software development.

Other Sealevel PC104 Digital I/O Products

PIO-48.PC104	(P/N 3701)	- 48 Channel TTL
DIO-104.REL	(P/N 3710)	- 16 Reed Relay Outputs
DIO-32.104	(P/N 3730)	- 16 Optically Isolated Inputs/16 Reed Relays

Before You Get Started

What's Included

The DIO-104.OPTO is shipped with the following items. If any of these items is missing or damaged please contact Sealevel for replacement.

- **DIO-104.OPTO Adapter**
- **Sealevel SeaI/O Software CD**

Optional Items

Depending upon your application, you are likely to find one or more of the following items useful for interfacing the DIO-104.OPTO to real-world signals. All items can be purchased from our website (<http://www.sealevel.com>) or by calling (864) 843-4343.

- **40-Pin IDC to DB-37 Female 8' Ribbon Cable (Part Number CA211)**
 - For compatibility with other Sealevel digital I/O devices, the CA211 connects to the 40-pin header connector on the DIO-104.OPTO and provides a DB-37 Female connector.
- **DB-37 Male to DB-37 Female 6' Cable - (Part Number CA112)**
 - This cable extends the DB-37 connector on the DIO-104.OPTO to six feet and is pinned one-to-one.
- **DB-37 Male/Female Terminal Block (Part Number TB02-KT)**
 - Break out serial and digital connectors to 37 screw terminals for easy field connection. The TB02 terminal block is designed with both DB-37 male and female connectors, therefore; it can be used with any DB-37 board regardless of the board's port gender.
- **Cable and Terminal Block Kit (Part Number KT101)**
 - For convenient and easier ordering, the KT101 includes the TB02-KT terminal block and CA112 cable in a single kit.

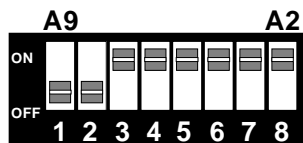
Card Setup

Address Selection

The DIO-104.OPTO occupies 4 consecutive I/O locations. The DIP-switch (S1) is used to set the base address for these locations. Be careful when selecting the base address as some selections conflict with existing PC ports. The following table shows several examples that usually do not cause a conflict. Even though four I/O addresses are decoded, only the first two are actually used, the other two ports are to maintain compatibility with existing Sealevel Systems adapters.

Address	Binary	Switch Settings							
		A9	A8	A7	A6	A5	A4	A3	A2
		1	2	3	4	5	6	7	8
100-103	01 0000 00xx	On	Off	On	On	On	On	On	On
104-107	01 0000 01xx	On	Off	On	On	On	On	On	Off
200-203	10 0000 00xx	Off	On	On	On	On	On	On	On
280-283	10 1000 00xx	Off	On	Off	On	On	On	On	On
284-287	10 1000 01xx	Off	On	Off	On	On	On	On	Off
2EC-2EF	10 1110 11xx	Off	On	Off	Off	Off	On	Off	Off
300-303	11 0000 00xx	Off	Off	On	On	On	On	On	On
320-323	11 0010 00xx	Off	Off	On	On	Off	On	On	On
388-38B	11 1000 10xx	Off	Off	Off	On	On	On	Off	On
3A0-3A3	11 1010 00xx	Off	Off	Off	On	Off	On	On	On
3A4-3A7	11 1010 01xx	Off	Off	Off	On	Off	On	On	Off

The following illustration shows the correlation between the DIP-switch setting and the address bits used to determine the base address. In the example below, address 300 is selected as the base address. Address 300 in binary is XX 11 0000 00XX where X = a non-selectable address bit.



Note: Setting the switch 'On' or 'Closed' corresponds to a '0' in the address, while leaving it 'Off' or 'Open' corresponds to a '1'.

Software Installation

Windows 98/ME/NT/2000/XP Installation

Do not install the Adapter in the machine until the software has been fully installed.

1. Start Windows.
2. Insert the Sealevel Systems CD in to your CD drive.
3. If 'Auto-Start' is enabled for this drive the software will automatically launch. Otherwise, point your browser to the 'Index.htm' on the root directory of the CD
4. Select 'Install Software'.
5. Select the Part Number for your adapter from the listing.
6. Select 'Windows 98/NT/ME/2000/XP'. The setup file will automatically detect the operating environment and install the proper components. Next (depending on your browser) select the 'Run this program from its current location' or 'Open' option. Follow the information presented on the screens that follow. During setup the user may specify installation directories and other preferred configurations. This program also adds entries to the system registry that are necessary for specifying the operating parameters for each driver. An uninstall option is also available to remove SeaIO files and registry/INI file entries from the system.
7. If installing in NT, skip to step 16. 'Windows NT Card Installation'.
8. Go to the "Add New Hardware Wizard" in the Control Panel.
9. When the Wizard asks if you want Windows to search for the new hardware, choose "No, I want to select the hardware from a list."
10. Scroll through the list of categorized hardware and select 'SeaIO Devices'. If this is the first SeaIO device you may need to select 'Other Devices' and 'Sealevel Systems, Inc.' instead of 'SeaIO Devices'.
11. Click "Next".
12. Select the card model and press "Next".
13. The Wizard will guide you through a few more informational prompts; continue to click "Next" until it is completed.
14. Your card's resource assignments may be adjusted through the Device Manager (if, for instance, you need to change the I/O port address Windows assigned when you installed the card).
15. Windows software installation is complete
16. Windows NT Card Installation: After accomplishing steps 1 – 6, bring up the Control Panel and double-click on the SeaIO Devices icon. To install a new card, click "Add Port". Repeat this procedure for as many SeaIO cards as you wish to install.

Linux Installation

Note: You MUST have "root" privileges to install the software and drivers.

1. Login as "root".
2. Mount the CDROM by typing:

```
mount -t iso9660 /dev/hdc /cdrom
```

Note Your cdrom may not be /dev/hdc it could be /dev/hda, /dev/hdb, /dev/hdd, or if you have a SCSI drive /dev/sda, /dev/sdb, /dev/sdc, etc. You may mount the CDROM to any location, the /cdrom is just a common example.

3. Next change to the directory where you mounted the CDROM:

```
Ex. cd /cdrom/software/SeaIO/Other/linux
```

Note: The syntax is case sensitive.

4. Copy seaio.tar.gz to your home directory by typing:

```
cp seaio.tar.gz ~
```

5. Change to your home directory by typing:

```
cd
```

6. Unmount the drive and then Unzip and Untar the drivers and software by typing:

```
umount /cdrom
```

```
tar -xvzf seaio.tar.gz
```

7. Change to the seaio directory by typing:

```
cd seaio
```

8. Now compile and prepare the drivers for use:

```
make install
```

9. Using your favorite text editor, edit the /etc/seaio.conf

10. Within the quote marks, insert

```
cardtype=0xYourSeaIOcardType io=0xCardBaseAddress
```

Note: YourSeaIOcardType = Model Number of your SeaIO Card.

CardBaseAddress = What base address you have your SeaIO card addressed at.

11. Save the file and exit your editor.

12. Load the driver by typing:

```
seaio-load
```

13. The driver has enabled the card and is ready to use.

To set up Linux to automatically load the driver; refer to a Linux manual concerning your specific distribution for help.

Physical Installation

Extreme care should be taken when installing the DIO-104.OPTO to avoid causing damage to the connectors. After the adapter is installed, connect your I/O cable to P2. Please note these headers are keyed so that pin 1 of the cable matches pin 1 of the connector. Refer to Card Setup for information on setting the address before inserting the DIO-104.OPTO onto the stack.

Do not install the Adapter in the machine until the software has been fully installed.

1. **Turn off power. Disconnect the power cord.**
2. Remove the case cover (if applicable).
3. Gently insert the DIO-104.OPTO connector noting proper key orientation of the expansion connector on a PC/104 compatible card. The DIO-104.OPTO adapter is keyed per the current PC/104 Specification. This will aid in preventing the adapter from being inserted incorrectly.
4. Mounting hardware (nylon stand-offs and screws) is provided to ensure a good mechanical connection. Retain any mounting hardware not used to allow for future expansion.
5. The cables provided are keyed and can be installed before or after the adapter is inserted in the stack.
6. Replace the cover.
7. Connect the power cord and power up the machine.

The DIO-104.OPTO is now ready for use.

3rd Party Software Support

Third party software support for many HMI/MMI and other process control software is included on the product installation CD. For the most up to date information on third party software support, please visit:

<http://www.sealevel.com/thirdpartysoftware.asp>

Programming the DIO-104.OPTO

Sealevel's SeaI/O software is provided to assist in the development of reliable applications for the Sealevel Systems family of digital I/O adapters. Included on the SeaI/O CD are driver functions for use in accessing the I/O as well as helpful samples and utilities.

Programming for Windows

The SeaI/O API (Application Programmer Interface) provides a variety of useful high-level function calls implemented in a Windows dynamic link library (DLL). The API is defined in the help file (Start/Programs/SeaIO/SeaIO Help) under "Application Programmers Interface". This help file also includes detailed information dealing with installation / removal of the software and information about latency, logic states, and device configuration.

For C language programmers we recommend using the API to access the DIO-104.OPTO. If you are programming in Visual Basic, using the ActiveX control included with SeaI/O is advised.

Samples and Utilities

A variety of sample programs and utilities (both executable and source code) are included with SeaI/O. Further documentation on these samples can be found by selecting "Start/Programs/SeaIO/Sample Application Description". Information about where the files are physically stored on your disk is also included in this same file.

Programming for Linux

SeaI/O for Linux consists of two major parts: a kernel module and a library. The kernel module is a simple IO pass-through device, allowing the library to handle the more sophisticated functions provided to SeaI/O users. It is provided in a 'tarball' format and can easily be compiled and included in the kernel build.

Digital I/O Interface

The DIO-104.OPTO provides four parallel input/output (I/O) ports. The ports are organized as ports A, B, C, and D. Ports A and B are input ports interfaced to optically-isolated inputs, while ports C and D decoded but not used. Assuming an I/O address of 300 Hex the following table shows the Port Addresses.

Base Address	Hex	Decimal	Mode
Port A Address	300	768	Optically Isolated Input Port
Port B Address	301	769	
Port C Address	302	770	Not used
Port D Address	303	771	

Input Ports

Ports A and B are 8 bit input ports connected to optically isolated input sensors. Each sensor can be used to interface a voltage input and then sense whether the voltage is on or off. Each sensor is isolated with respect to a common ground from every other sensor and also isolated with respect to the host PC ground. This means that signals such as low-level AC voltage, motor servo voltage, and control relay signals can be ‘sensed’, or read by the PC, without the risk of damage due to ground loops or ground faults.

Each sensor input pair has a current limiting resistor that is used to limit the input current to the opto-isolator. The opto-isolator has two ‘back-to-back’ diodes internally. This allows AC or DC signals to be sensed regardless of polarity. When the signal is high enough to cause the opto-isolator to turn-on, the output of the opto-isolator goes low (0 volts) and the port bit is read as a low logic level (binary 0) by the PC. When the input signal is too low to turn on the opto-isolator, the output goes high and the port bit is read by the PC as a high logic level (binary 1).

The input impedance of each isolated input is approximately 560 ohms (factory default). The opto-isolator requires approximately 3mA to turn on. The maximum input current is 50mA. There are two things to consider when selecting the input resistor. The first is *turn on voltage* for the circuit to sense, and second is the *maximum input voltage*. Maximum input voltage must not provide too much power to the input resistor, and must also not overdrive the opto-isolator input current specification. The following formulas apply:

$$\text{Turn on Voltage} = \text{diode drop} + (\text{turn on current}) \times (\text{resistance}) \text{ [Ex: } 1.1 + (.003) \times R \text{]}$$

$$\text{Input Current} = ((\text{input voltage}) - 1.1\text{V}) / (\text{resistor value})$$

$$\text{Maximum voltage} = 1.1 + \text{square root of } (.25(\text{resistor value}))$$

The following table shows common input resistors and the ranges associated with each.

Input Resistor	Turn-On	Input Range	Max Input	Max Current
220Ω	1.8V	1.8 – 7.0V	8.5V	27mA
560Ω	2.8V	2.8 – 10.6V	12.9V	20mA
1KΩ	4.1V	4.1 – 13.8V	16.9V	15mA
2.2KΩ	7.7V	7.7 – 20.0V	24.5V	10mA
3.3KΩ	10.0V	10.0 – 24.0V	30.0V	9mA
4.7KΩ	15.2V	15.2 – 28.0V	35.0V	7mA

Note: The turn-off voltage for all resistors is less than 1V.

Increasing the input resistor accordingly can increase the maximum input voltage. Because socketed DIP resistors are utilized, they can easily be replaced with a different value. Sealevel, if necessary can do this.

Important: The input circuits are not intended for monitoring 120-volt AC circuits. In addition to being too high a voltage for the circuits, it is dangerous to have that high a voltage on the card.

Input Pin Assignments (P2)

Port A Bit	P2	DB-37	Port B Bit	P2	DB-37
0	36	18	0	20	29
	35	37		19	10
1	34	17	1	18	28
	33	36		17	9
2	32	16	2	16	27
	31	35		15	8
3	30	15	3	14	26
	29	34		13	7
4	28	14	4	12	25
	27	33		11	6
5	26	13	5	10	24
	25	32		9	5
6	24	12	6	8	23
	23	31		7	4
7	22	11	7	6	22
	21	30		5	3
Ground	4	21			
	3	2			
	2	20			
+ 12 Volts	1	1			
+ 5 Volts	37	19			

Reading the Inputs

The inputs are active Low. If no voltage is applied across one of the differential inputs it returns a one on that bit. If an AC or DC voltage (of sufficient magnitude, covered above) is applied it returns a zero on that bit.

Function Available	Port	Address Hex
R	A	Base + 0
R	B	Base + 1

R = Read

Electrical Characteristics

Features

- 2 eight bit input ports
- Selectable I/O port addressing from 100H - 3FFH
- Multiple adapters can reside in same computer
- All address, data and control signals are TTL compatible

Specifications

Input Ports

- Turn On Current: 3mA
- Isolator Diode Drop: 1.1 VDC
- Resistor Power Max: .25 W
- Maximum Input Range: 3 – 13 VDC/VAC

Temperature Range

- Operating: 0°C – 70°C
- Storage: -50°C – 105°C

Power Requirements

- +5VDC @ 125mA
- +12VDC (Optional)

Physical Dimensions

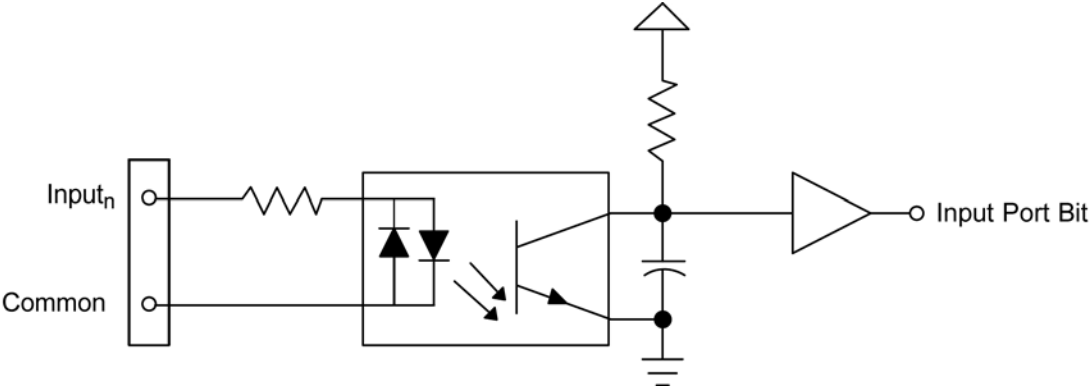
- PCB Length: 3.6" (9.0 cm)
- PCB Height: 3.8" (9.6 cm)

Manufacturing

All Sealevel Systems Printed Circuit boards are built to UL 94V0 rating and are 100% electrically tested. These printed circuit boards are solder mask over bare copper or solder mask over tin nickel.

Example Circuits

Input Circuit



Appendix A - Troubleshooting

Following these simple steps can eliminate most common problems.

1. **Install software first.** After installing the software then proceed to adding the hardware. This places the required installation files in the correct locations.
2. Read this manual thoroughly before attempting to install the adapter in your system.
3. Use Device Manager under Windows to verify proper installation.
4. Use the SeaIO Control Panel applet or the Device Manager's property page for card identification and configuration.
5. The following are known I/O conflicts:
 - The 278 and 378 settings may conflict with your printer I/O adapter.
 - 3B0 cannot be used if a Monochrome adapter is installed.
 - 3F8-3FF is typically reserved for COM1.
 - 2F8-2FF is typically reserved for COM2.
 - 3E8-3EF is typically reserved for COM3.
 - 2E8-2EF is typically reserved for COM4.
6. If these steps do not solve your problem, please call Sealevel Systems' Technical Support, (864) 843-4343. Our technical support is free and available from 8:00AM-5:00PM Eastern Time Monday through Friday. For email support contact support@sealevel.com.

Appendix B - How To Get Assistance

Begin by reading through the Trouble Shooting Guide in Appendix A. If assistance is still needed please see below.

When calling for technical assistance, please have your user manual and current adapter settings. If possible, please have the adapter installed in a computer ready to run diagnostics.

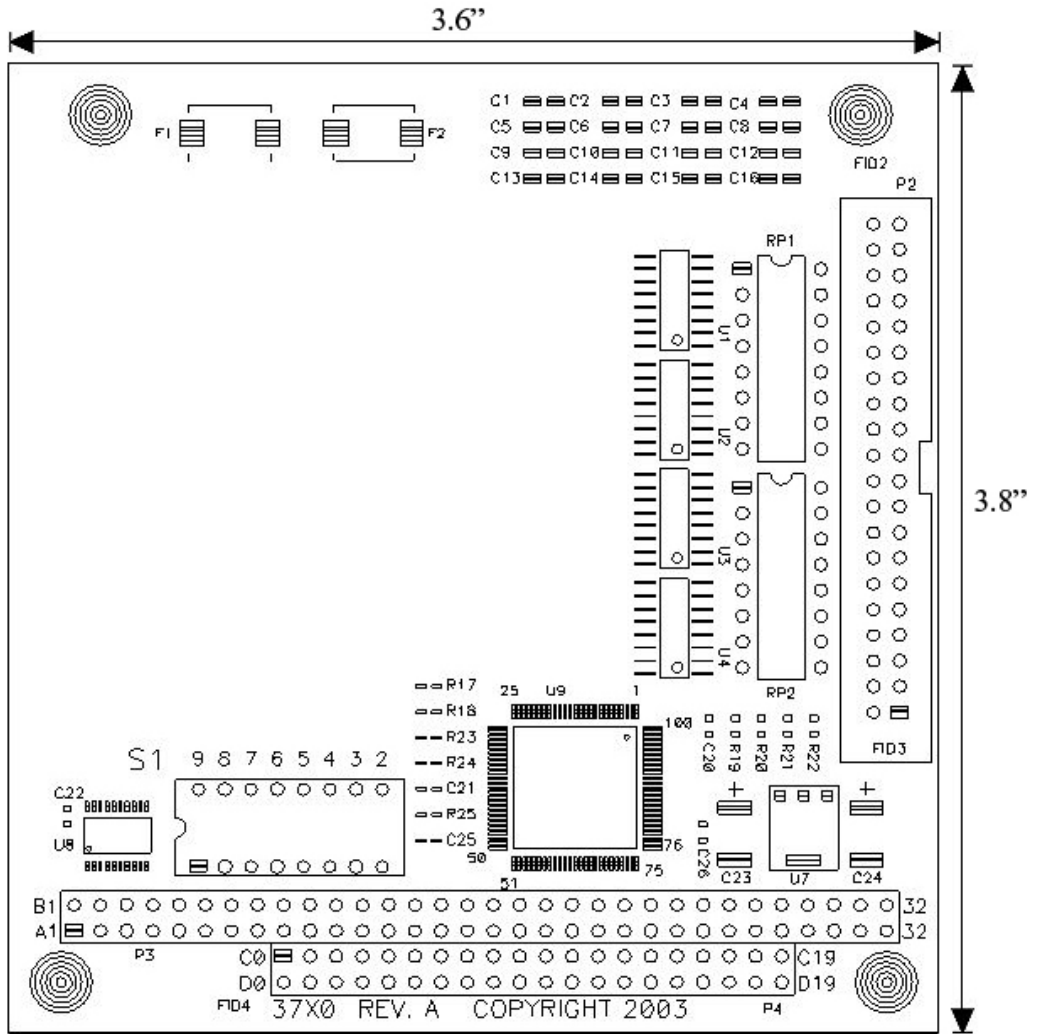
Sealevel Systems provides an FAQ section on its web site. Please refer to this to answer many common questions. This section can be found at <http://www.sealevel.com/faq.asp>

Sealevel Systems maintains a Home page on the Internet. Our home page address is <http://www.sealevel.com>. The latest software updates, and newest manuals are available via our FTP site that can be accessed from our home page.

Technical support is available Monday to Friday from 8:00 a.m. to 5:00 p.m. eastern time. Technical support can be reached at (864) 843-4343.

RETURN AUTHORIZATION MUST BE OBTAINED FROM SEALEVEL SYSTEMS BEFORE RETURNED MERCHANDISE WILL BE ACCEPTED. AUTHORIZATION CAN BE OBTAINED BY CALLING SEALEVEL SYSTEMS AND REQUESTING A RETURN MERCHANDISE AUTHORIZATION (RMA) NUMBER.

Appendix C – Silk Screen – 3720 PCB



Appendix D - Compliance Notices

Federal Communications Commission Statement

FCC - This equipment has been tested and found to comply with the limits for Class A digital device, pursuant to Part 15 of the FCC Rules. These limits are designed to provide reasonable protection against harmful interference when the equipment is operated in a commercial environment. This equipment generates, uses, and can radiate radio frequency energy and, if not installed and used in accordance with the instruction manual, may cause harmful interference to radio communications. Operation of this equipment in a residential area is likely to cause harmful interference in such case the user will be required to correct the interference at the users expense.

EMC Directive Statement



Products bearing the CE Label fulfill the requirements of the EMC directive (89/336/EEC) and of the low-voltage directive (73/23/EEC) issued by the European Commission.

To obey these directives, the following European standards must be met:

EN55022 Class A - “Limits and methods of measurement of radio interference characteristics of information technology equipment”

EN55024 – “Information technology equipment Immunity characteristics Limits and methods of measurement”.

EN60950 (IEC950) - “Safety of information technology equipment, including electrical business equipment”

Warning

This is a Class A Product. In a domestic environment, this product may cause radio interference in which case the user may be required to take adequate measures to prevent or correct the interference.

Always use cabling provided with this product if possible. If no cable is provided or if an alternate cable is required, use high quality shielded cabling to maintain compliance with FCC/EMC directives.

Warranty



Sealevel's commitment to providing the best I/O solutions is reflected in the Lifetime Warranty that is standard on all Sealevel manufactured products. We are able to offer this warranty due to our control of manufacturing quality and the historically high reliability of our products in the field. Sealevel products are designed and manufactured at its Liberty, South Carolina facility, allowing direct control over product development, production, burn-in and testing.

Sealevel Systems, Inc. (hereafter "Sealevel") warrants that the Product shall conform to and perform in accordance with published technical specifications and shall be free of defects in materials and workmanship for life. In the event of failure, Sealevel will repair or replace the product at Sealevel's sole discretion. Failures resulting from misapplication or misuse of the Product, failure to adhere to any specifications or instructions, or failure resulting from neglect or abuse are not covered under this warranty.

Warranty service is obtained by delivering the Product to Sealevel and providing proof of purchase. **Return authorization must be obtained from Sealevel Systems before returned merchandise will be accepted. Authorization is obtained by calling Sealevel Systems and requesting a Return Merchandise Authorization (RMA) number.** The Customer agrees to insure the Product or assume the risk of loss or damage in transit, to prepay shipping charges to Sealevel, and to use the original shipping container or equivalent. Warranty is valid only for original purchaser and is not transferable.

Sealevel Systems assumes no liability for any damages, lost profits, lost savings or any other incidental or consequential damage resulting from the use, misuse of, or inability to use this product. Sealevel Systems will not be liable for any claim made by any other related party.

This warranty applies to Sealevel manufactured Product. Product purchased through Sealevel but manufactured by a third party will retain the original manufacturer's warranty.

**Sealevel Systems, Incorporated
2779 Greenville Highway
P.O. Box 830
Liberty, SC 24857 USA
(864) 843-4343 FAX: (864) 843-3067
www.sealevel.com
email: support@sealevel.com**

Technical Support is available Monday - Friday from 8 a.m. to 5 p.m. Eastern time

Trademarks

Sealevel Systems, Incorporated acknowledges that all trademarks referenced in this manual are the service mark, trademark, or registered trademark of the respective company.